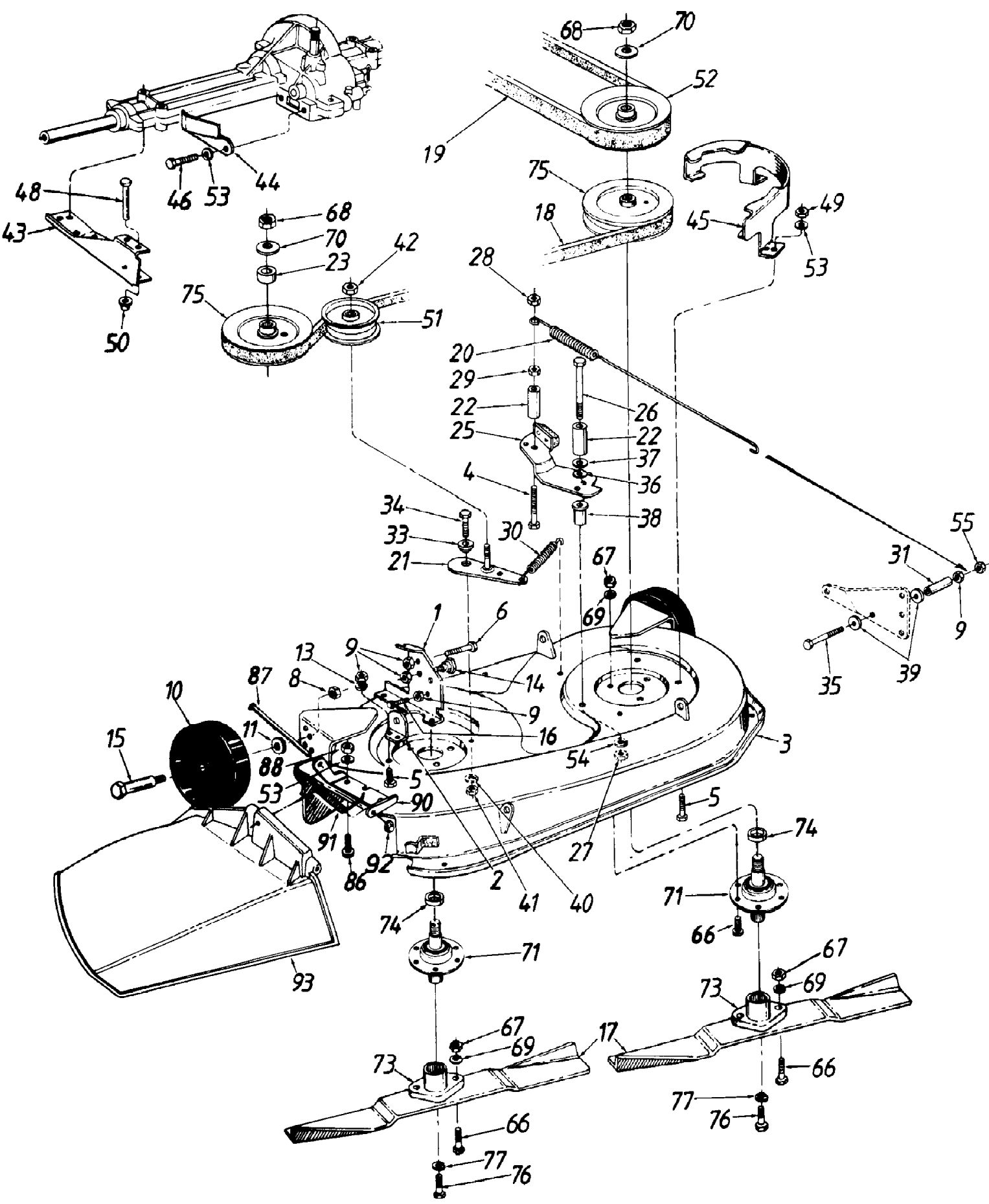


130-521D190 R-10 (1990)  
32" Side Discharge Mowing Deck Assembly



130-521D190 R-10 (1990)  
32" Side Discharge Mowing Deck Assembly

Page 2 of 22

Ref #	Part Number	Qty	S/P/F	Description
1	17094B	1		Deck Disengagement Brkt.
2	17096	1		Rear Deck Brkt.-R.H.
3	17102	1	S	32" Deck Ass'y.
	17242	1		32" Deck Ass'y. Comp. (Service Only)
4	710-0559	1		Hex Bolt 1/4-28 x 1.75" Lg.
5	710-0285	1		Hex Bolt 1/4-20 x .62" Lg.
6	710-0778	1	/P	Hex Wash. Hd. Scr. 1/4-20 x 1.5" Lg.
8	712-0181	1	S	Hex L-Nut 3/8-16 Thd.
9	712-0287	1	S	Hex Nut 1/4-20 Thd.
10	734-0973	1	/P	Deck Wheel
11	736-0105	1	/P	Bell-Wash. .380" I.D. x .88"
13	736-0329	1	S	L-Wash. 1/4" I.D.
14	738-0183	1	S	Shld. Bolt .500" Dia. x .215"
15	738-0373	1	S	Shld. Bolt .498" Dia. x 1.53"
16	710-0642	1	/P	Hex Tap Scr. 1/4-20 x .75" Lg.
17	742-0487	1		R.H. High-Lift Blade
18	754-0290	1	S	V-Belt
19	754-0347	1	S	V-Belt
20	732-0575	1		Extension Spring 15-5/8" Lg.
21	17241	1		Idler Brkt. Ass'y.
22	750-0470	1		Spacer 5/16" I.D. x 1/2" O.D. x 31 /32
23	750-0732	1		Spacer .752" I.D. x 1.25" O.D.
25	17116	1	S	Deck Brake Brkt. Ass'y.
26	710-3056	1		Hex Bolt 5/16-18 x 3.25" Lg.
27	712-0123	1	/P	Hex Nut 5/16-24 Thd.
28	712-0117	1	S	Hex L-Nut 1/4-28 Thd.
29	712-0138	1	S	Hex Nut 1/4-28 Thd.
30	732-0428A	1	S	Extension Spring 4.35" Lg.
31	750-0583	1	S	Spacer 1/4" I.D. x 3/8" O.D. x 1-5/16"
33	738-0347	1	S	Shoulder Spacer
34	710-0253	1	S	Hex Bolt 3/8-16 x 1" Lg.
35	710-0102	1	S	Hex Bolt 1/4-20 x 2.5" Lg.
36	736-0230	1	S	Wave Washer
37	748-0234	1	/P	Shld. Spacer .27" Lg.
38	750-0702	1		Spacer 1.46" Lg.
39	736-0176	1	S	Flat Wash. 1/4"
40	736-0169	1	S	L-Wash. 3/8" I.D.
41	712-3017	1	S	Hex Nut 3/8-16 Thd.
42	712-0241	1	/P	Hex L-Nut 3/8-24 Thd.
43	15625B	1		Lower Outside Belt Guard
44	17117	1		Lower Inside Belt Guard
45	17164	1		Belt Guard Deck-R.H.
46	710-0258	1	S	Hex Bolt 1/4-20 x .62" Lg.
48	710-0586	1		Pin
49	712-0287	1	S	Hex Nut 1/4-20 Thd.
50	726-0106	1	S	Speed Nut 1/4" Rod
51	756-0515	1		Flat Idler Pulley
52	756-0517	1		5" Dia. Pulley
53	736-0329	1	S	L-Wash. 1/4" I.D.
54	736-0242	1	/P	Bell-Wash. 5/16" I.D.
55	712-0291	1	S	Hex L-Nut 1/4-20 Thd.
66	710-0888	1	/P	Hex Bolt 5/16-24 x 1" Lg.
67	712-0123	1		Hex Nut 5/16-24 Thd.

130-521D190 R-10 (1990)  
32" Side Discharge Mowing Deck Assembly

Page 3 of 22

Ref #	Part Number	Qty	S/P/F	Description
68	712-0318	1	/P	Hex Jam Nut 5/8-18 Thd.
69	736-0119	1	S	L-Wash. 5/16" I.D.
70	736-0317	1	/P	Bell-Wash. 5/8" I.D.
71	717-0900	1	S	Blade Spindle Ass'y. Comp.
73	748-0300	1		Blade Adapter
74	750-0731	1		Spacer
75	756-0516	1		5" Dia. Pulley
76	710-0152	1	S	Hex Bolt 3/8-24 x 1.0" Lg.
77	736-0217	1	S	L-Wash. 3/8" I.D. H.D.
86	710-0255	1	S	Truss.-Mach. Scr. 1/4-20 x .75" Lg.
87	711-0792	1	S	Hinge Pin
88	712-0287	1	S	Hex Nut 1/4-20 Thd.
90	703-1693	1	S	Hinge Mtg. Brkt.
91	732-0602	1	S	Torsion Spring
92	726-0106	1	S	Push Nut
93	731-1032	1	S	Chute Ass'y. Comp.



130-521D190 R-10 (1990)  
Body Assembly

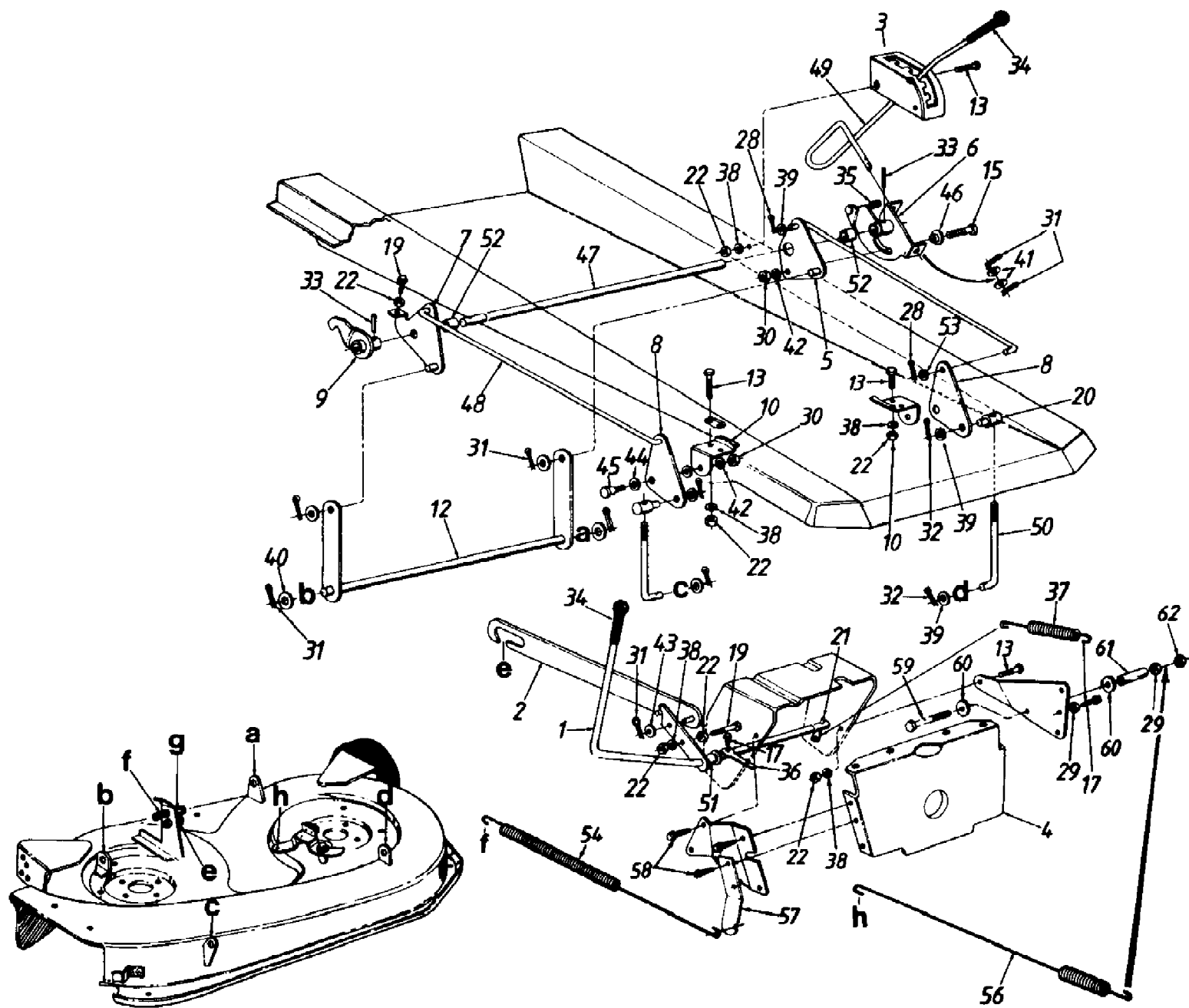
Page 5 of 22

Ref #	Part Number	Qty	S/P/F	Description
1		1		Engine
2	15572A	1	S	Engine Mounting Plate
3	710-0158	1	S	Hex Bolt 5/16-24 x 1.25" Lg.
4	736-0231	1	S	FI-Wash. .330" I.D. x 1.125" O.D.
5	722-0153	1	S	Engine Mounting Grommet
6	750-0539	1	S	Spacer.315" I.D. x .50" O.D. x.520" Lg.
7	726-0209	1	/P	Cable Tie 30.6" Lg.
8	710-0502A	1	/P	Hex Wash. Hd. Self-Tap Scr. 3/8-16 x 1.25" Lg.
9	723-0155	1		Gas Gauge
10	751-0368	1	S	Fuel Tank
11	751-0535-26	1	S	Gas Line-26 Inches
12	726-0205	1	/P	Hose Clamp 1/2" O.D. Tube
14	710-0380	1	S	Hex Bolt 5/16-18 x 1.75" Lg.
15	710-0116	1	S	Hex Bolt 5/16-18 x 2.0" Lg.
16	731-0712A	1		Front Console
17	710-0906	1	S	Plastite Scr. 5/16 x 1.25" Lg.
19	17672	1		483/N Main Frame
20	736-0119	1	S	L-Wash. 5/16" I.D.
21	712-0267	1	S	Hex Nut 5/16-18 Thd.
22	735-0220A	1		Floor Mat
23	710-0779A	1	/P	Truss Mach. AB-Tap Scr. #10 x .50" Lg.
24	731-0757	1		Convuluted Conduit
25	726-0175	1	/P	Clamp
26	736-0119	1	S	L-Wash. 5/16" I.D.t
27	712-0123	1	/P	Hex Nut 5/16-24 Thd.
28	17677	1		Clutch-Brake Pedal Ass'y.
29	710-0118	1	S	Hex Bolt 5/16-18 x .75" Lg
30	712-0267	1	S	Hex Nut 5/16-18 Thd.
31	736-0119	1	S	L-Wash. 5/16" I.D.
32	17713	1		Mounting Brkt. Variable Speed Pulley
33	736-0329	1	S	L-Wash. 1/4" I.D.
34	712-0287	1	S	Hex Nut 1/4-20 Thd.
35	737-0125	1		90ø Elbow Male To Female
36	731-0511-18	1	/P	Trim Strip 18" Lg.
37	746-0614A	1	/P	Choke Control
39	15552	1		Transaxle Support Ass'y.
40	710-0118	1	S	Hex Bolt 5/16-18 x .75" Lg.
41	15571	1		Rear Frame Panel
42	710-0621	1	S	Hex Bolt 5/16-18 x .50" Lg.
43	721-0207	1	S	Exhaust Gasket (R-86)
	721-0208	1	S	Exhaust Gasket (R-10)
44	751-0412	1		Muffler Ass'y. (R-86)
	751-0425	1	S	Spark Arrester For 8 H.P. Muffler (Optional)
	751-0413	1	S	Muffler Ass'y. (R-10)
	751-0426	1	S	Spark Arrester For 10 H.P. (Optional)
45	738-0635	1	S	Shld. Bolt (R-86)
	738-0636	1	S	Shld. Bolt (R-10)
46	736-0343	1	/P	FI-Wash. .33" I.D. x 1.25" O.D.
47	736-0392	1		Flange Wash. .32" I.D. x 75" O.D.
48	710-0118	1	S	Hex Bolt 5/16-18 x .75" Lg.
49	15604	1		Seat Support & Frame Brkt.

130-521D190 R-10 (1990)  
Body Assembly

Page 6 of 22

Ref #	Part Number	Qty	S/P/F	Description
50	710-0118	1	S	Hex Bolt 5/16-18 x 75" Lg.
55	710-0289	1	S	Hex Bolt 1/4-20 x 50" Lg.
56	15975	1		Engine Cover Ass'y.
57	831-0823A	1	/P	Throttle Control Box Ass'y.
62	725-0201	1	S	Ignition Key
63	725-0267	1	S	Ignition Switch
64	746-0503	1	S	Throttle Control Wire
65	16483A	1		Front Seat Bracket
66	15606A	1	S	Rear Seat Bracket
68	710-0118	1	S	Hex Bolt 5/16-18 x .75" Lg.
	712-0267	1	S	Hex Nut 5/16-18 Thd.
70	710-0855	1	S	Hex Tap Scr. 1/4-20 x 1.0" Lg.*
71	736-0119	1	S	L-Wash. 5/16" I.D.
72	732-0632	1		Seat Spring
74	731-0555A	1	/P	Grommet
75	710-0623	1	/P	Hex Wash. Hd. Tap Scr. 3/8-16 x 3/4" Lg.
77	710-0118	1	S	Hex Bolt 5/16-18 x .75" Lg.
78	736-0242	1	/P	Bell-Wash. 34Sn I.D. x .88" O.D.
79	712-0158	1	S	Hex Cent. L-Nut 5/16-18 Thd.
80	15607D	1	S	Seat Pivot Bracket
81	757-0345	1	S	Seat Ass'y. (R-86)
	757-0338	1	S	Seat Ass'y. (R-10)
93	712-0267	1	S	Hex Nut 5/16-18 Thd.
94	736-0119	1	S	L-Wash. 5/16" I.D.
96	732-0633	1	S	Compression Spring 2.61" Lg.
97	722-0160	1		Bushing
98	736-0159	1	S	FI-Wash. 344" I.D. x .875"
99	710-0376	1	/P	Hex Bolt 5/16-18 x 1" Lg. (Gr. S)
101	725-1441	1		Seat Switch

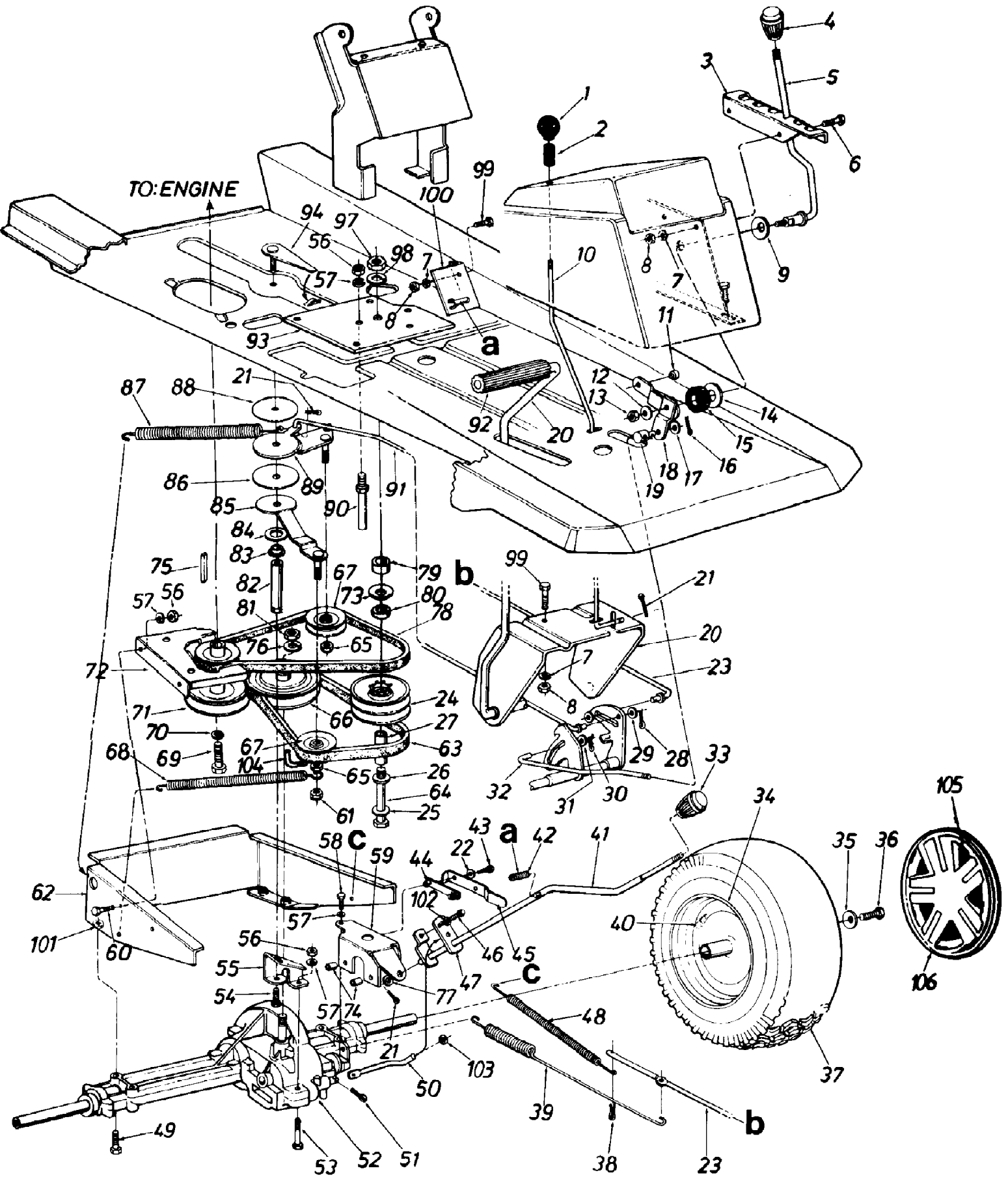


130-521D190 R-10 (1990)  
Deck Linkage Assembly

Page 8 of 22

Ref #	Part Number	Qty	S/P/F	Description
1	15568	1	S	Blade Engagement Lever Ass'y.
2	15644A	1	S	Deck Drive Control Brkt. Ass'y.
3	16397	1		Deck Index Bracket
4	15613	1		Pivot Bar Brkt.
5	17108	1		Deck Lift Brkt. Ass'y.
6	17109	1		Deck Lift Handle Retainer Ass'y.
7	17111	1		Deck Lift Brkt. Ass'y.
8	17112	1		Deck Lift Bracket
9	17114A	1	/P	Deck Lift Float Brkt Ass'y.
10	17115	1		Deck Lift Pivot Brkt.
12	17123	1		Stabilizer Shaft Ass'y.
13	710-0118	1	S	Hex Bolt 5/16-18 x .75" Lg.
15	710-0253	1	S	Hex Bolt 3/8-16 x 1" Lg.
17	710-0778	1	/P	Hex Wash. Hd. Scr. 1/4-20 x 1.5" Lg.
19	710-0817	1		Hex Wash.-Tap Scr. 5/16-18 x 1.25" Lg.
	711-0198	1	S	Ferrule
21	711-0753	1		Clevis Pin (Special)
22	712-0267	1	S	Hex Nut 5/16-18 Thd.
28	714-0507	1	S	Cotter Pin 8/32" Dia.
29	712-0287	1	S	Hex Nut 1/4-20 Thd.
30	712-0798	1	/P	Hex Nut 3/8-16 Thd.
31	714-0101	1	S	Internal Cot. Pin 1/2" Dia.
32	714-0145	1	S	Int. Cot. Pins 3/8" Dia.
33	715-0114A	1	S	Spring Pin Spir. 1/4" Dia.
34	720-0223	1		Grip
35	732-0430	1		Compression Spring 1.04"
36	732-0435	1		Switch Actuator
37	732-0565	1		Ext. Spring 5.86" Lg.
38	736-0119	1	S	L-Wash 5/16" I.D.
39	736-0140	1	S	FI-Wash. .385 I.D. x .62
40	736-0156	1	/P	FI-Wash. .635 I.D. x 1.12
41	736-0160	1	S	FI-Wash. .531 I.D. x .930
42	736-0169	1	S	L-Wash. 3/8" I.D.
43	736-0300	1	S	FI-Wash. .385 I.D. x .87 O.D.
44	736-0232	1	S	Spring Washer .530 I.D.
45	738-0183	1	S	Shld. Bolt .500" Dia. x .215"
46	738-0347	1	S	Shld. Spacer .625" I.D.
47	738-0550	1		Rear Hgt. Adj. Shaft
48	747-0557	1		Connecting Rod
49	747-0651	1		Deck Lift Handle
50	747-0690	1		J-Bolt 5.4" Lg.
51	750-0515	1		Spacer.511 I.D.
52	750-0707	1		Spacer .885 I.D.
53	736-0264	1	S	FI-Wash. 5/16" I.D.
54	732-0531	1		Ext. Spring 22.05" Lg.
56	732-0563	1		Ext. Spring 15.38" Lg.
57	17310	1		Spring Anchor
58	710-0776	1	S	Hex Wash. Hd. AB-Tap Scr. 1/4 x.62" Lg.
59	710-0102	1	S	Hex Bolt 1/4-20 x 2.5" Lg.
60	736-0176	1	S	FI-Wash. .25" I.D. x .93" O.D.
61	750-0583	1	S	Spacer.255" I.D.
62	712-0291	1	S	Hex L-Nut 1/4-20 Thd.





130-521D190 R-10 (1990)  
Drive Mounting Assembly

Page 10 of 22

Ref #	Part Number	Qty	S/P/F	Description
1	720-0187	1		Ball Knob 1/4-20 Thd. 1.25"
	720-0187	1		Ball Knob 1/4-20 Thd. 1.25"
2	732-0437	1		Compression Spring
3	16389	1	S	Speed Index Bracket
4	720-0232	1	S	Shift Knob
5	747-0652	1		Speed Control Lever
6	710-0323	1	/P	Truss Mach. Scr. 5/16-18 x .75" Lg.
7	736-0119	1	S	L-Wash. 5/16" I.D.
8	712-0267	1	S	Hex Nut 5/16-18 Thd.
9	736-0253	1	S	Bell-Wash. .345" I.D. x .88"
10	747-0450	1		Brake Locking Rod
11	731-0493	1		Cap
12	736-0242	1	/P	Bell-Wash. .345" I.D. x .08"
13	712-0158	1	S	Hex Cent. L-Nut 5/16-18 Thd.
14	736-0154	1		FI-Wash. .50" I.D. x 1.5" O.D.
15	735-0219	1		Rubber Washer
16	714-0145	1	S	Intern. Cotter Pin 1/2" Dia.
17	736-0275	1	S	FI-Wash. .34" I.D. x .68" O.D.
18	16396	1		Speed Control Lever Brkt. Ass'y.
19	711-0677	1	S	Ferrule-Engagement
20	17677	1		Clutch/Brake Pedal Ass'y.
21	714-0507	1	S	Cotter Pin 3/32" Dia. x .75"
22	736-0426	1		Plastic Washer
23	747-0431	1		Brake Rod
24	717-0884	1		Variable Speed Pulley Ass'y.
25	736-0247	1	/P	FI-Wash. .4" I.D. x 1.25" O.D.
26	741-0405	1	S	Thrust Brg. 1.25" O.D. x .56" I.D.
27	750-0705	1		Spacer Sleeve 2.71"
28	714-0115	1	S	Cotter Pin 1/8" Dia. x 1.25"
29	736-0275	1	S	FI-Wash. .34" I.D. x .60" O.D.
30	714-0104	1	S	Intern. Cot-Pin 5/16" Dia.
31	736-0275	1	S	FI-Wash. .34" I.D. x .60" O.D.
32	747-0451	1		Speed Control Rod
33	720-0232	1	S	Shift Knob
34	734-0594	1	S	Rear Wheel Rim Only
35	736-0242	1	/P	Bell-Wash. .345" I.D. x .88n
36	710-0627	1	/P	Hex L-Bolt 5/16-24 x .75" Lg.
37	734-0591	1	/P/F	Rear Wheel Ass'y.-Comp.
	734-0275	1	/P/F	Tire Only
38	714-0470	1	S	Cotter Pin 1/8" Dia. x 1.25"
39	732-0389	1		Extension Spring 17.0" Lg.
40	734-0255	1	S	Air Valve
41	16475	1		Shift Lever Ass'y.
42	732-0499	1		Compression Spring 1.50" Lg.
43	710-0227	1	/P	Hex Wash. Hd. Scr. #8 x .5" Lg
44	726-0222	1	S	Insulator Nut
45	732-0615	1		Spring Switch
46	710-0289	1	S	Hex Bolt 1/4-20 x .50" Lg.
47	16476	1		Shift Lever Adjusting Link
48	732-0487	1		Ext. Spring 8 1/4" Lg.
49	710-0378	1	/P	Hex Bolt 5/16-18 x 2.5" Lg.
50	747-0668	1		Shift Rod
51	714-0149B			

130-521D190 R-10 (1990)  
Drive Mounting Assembly

Page 11 of 22

Ref #	Part Number	Qty	S/P/F	Description
52	717-0775V	1		Transaxle (See Breakdown)
53	710-0136	1	/P	Hex Bolt 1/4-20 x 1.75" Lg.
54	710-0180	1	/P	Hex Bolt 3/8-24 x 75" Lg.
55	15564A	1	S	Torque Rod Bracket
56	712-0287	1	S	Hex Nut 1/4-20 Thd.
57	736-0329	1	S	L-Wash. 1/4" I.D.
58	710-0965	1		Self-Tap Mach. Scr. Type "C" 1/4-20 x 1.37" Lg.
59	17515	1	S	Shift Lever Support Brkt.
60	710-0597	1	/P	Hex Bolt 1/4-20 x 1.00" Lg.
61	712-0262	1	/P	Hex L-Nut 3/8-24 Thd.
62	15552	1		Transaxle Support Ass'y.
63	754-0240	1	S/F	V-Belt
64	710-0693	1	/P	Hex Bolt 3/8-16 x 4 5" Lg.
65	712-0116	1	S	Hex Ins. L-Nut 3/8-24 Thd.
66	756-0390	1		5/8 V-Pulley 500" I.D. x 6"
67	756-0116	1	S	V-Belt Idler 88" I.D. x 3.06"
68	732-0308	1	S	Ext. Spring 50" O.D. x 6 87n
69	710-0314	1	/P	Hex Bolt 7/16-20 x 1.00" Lg.
70	736-0171	1	S	L-Wash. 7/16" I.D.
71	756-0391	1		Engine Pulley 500" O.D. & 8.86" O.D.
72	15623	1	S	Upper Eng. Belt Guard
73	736-0219	1	S	Bell-Wash. .4" I.D. x 1.12" O.D.
74	750-0686	1		Spacer.256" I.D. x 50" O.D.
75	714-0114	1	S	Sq.-Key 1/4" x 2 00" Lg.
76	736-0921	1	S	L-Wash. 1/2" I.D.
77	736-0226	1	S	FI-Wash. 469" I.D. x .88" O.D.
78	754-0241	1	S/F	V-Belt
79	750-0706	1	S	Spacer 1.00" x .380" O.D.
80	741-0405	1	S	Thrust Wash. 56" I.D. x 1.25" O.D.
81	712-0922	1	/P	Hex Nut 1/2-13 Thd.
82	711-0676	1		Torque Rod
83	748-0294	1		Flange Bearing .378
84	736-0187	1	/P	FI-Wash. .640" I.D. x 1.24"
85	15569A	1	S	Idler Bracket Ass'y.
86	736-0283	1		Thrust Wash. 635" I.D.
87	732-0556	1	S	Extension Spring 7.58" Lg.
88	736-0284	1	S	Thrust Wash. 385" I.D.
89	15585	1		Idler Bracket Ass'y. For Clutch
90	711-0747	1	S	Belt Guard Pin 1/4" Dia.
91	747-0560	1		Clutch Rod
92	735-0196	1	S	Foot Pad
93	17100	1		Mtg. Brkt. Variable Pulley
94	15642	1		Weld Bolt Brkt. Ass'y.
97	712-0798	1	/P	Hex Nut 3/8-16
98	736-0217	1	S	L-Wash. 3/8 Heavy Duty
99	710-0118	1	S	Hex Bolt 5/16-18 x 75" Lg.
100	16482	1		Shift Lever Spring Brkt.
101	712-0265	1	/P	Hex Sems Nut 5/16-18 Thd.
102	736-0270	1	/P	Bell-Wash. .265" I.D. x .75" O.D.
103	726-0231	1	S	Push On Retaining Ring
104	747-0758	1		Belt Guard

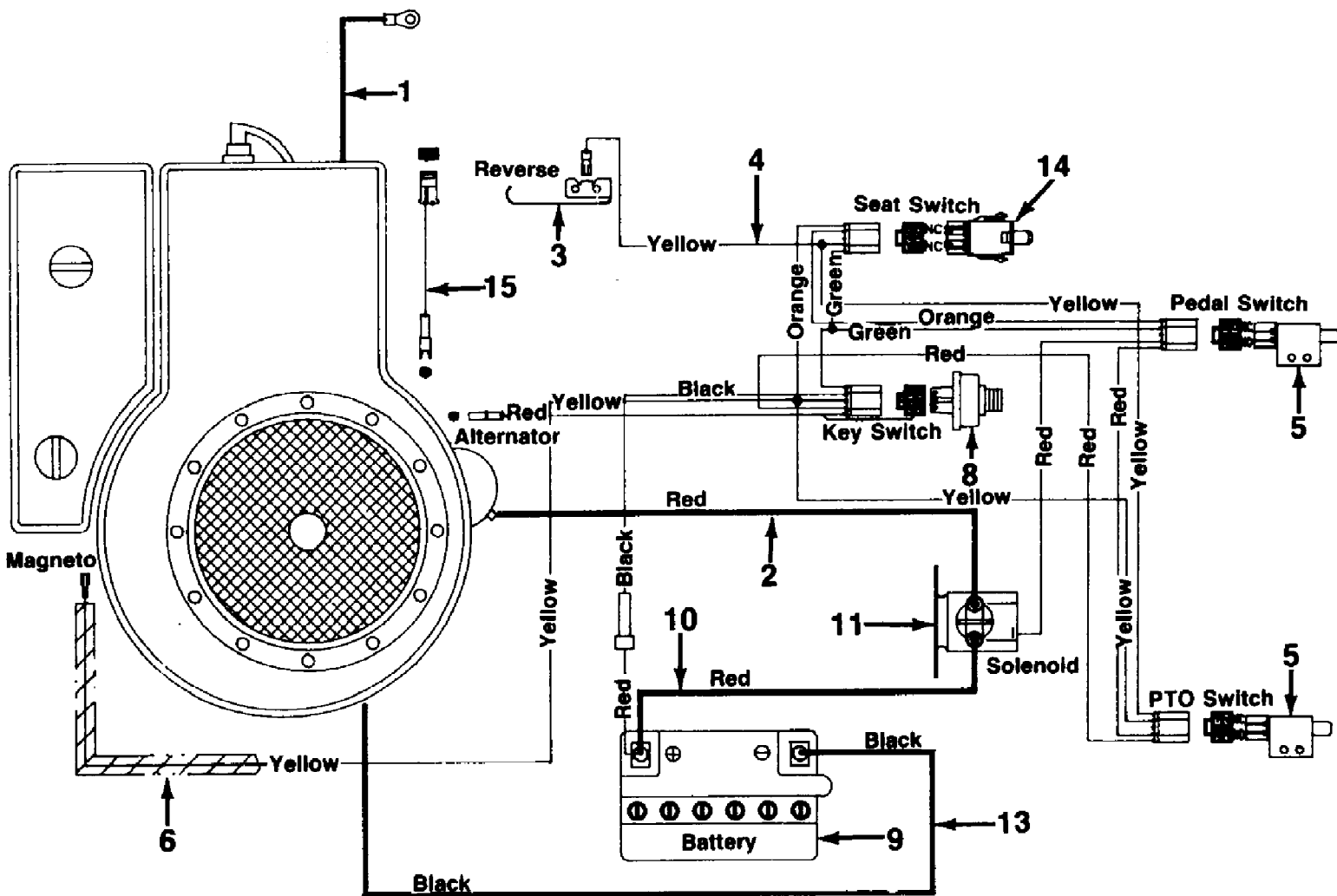
130-521D190 R-10 (1990)  
Drive Mounting Assembly

---

Ref #	Part Number	Qty	S/P/F	Description
105	727-0425	1	S	Spring Clip
106	734-1503	1	S	Hub Cap

---

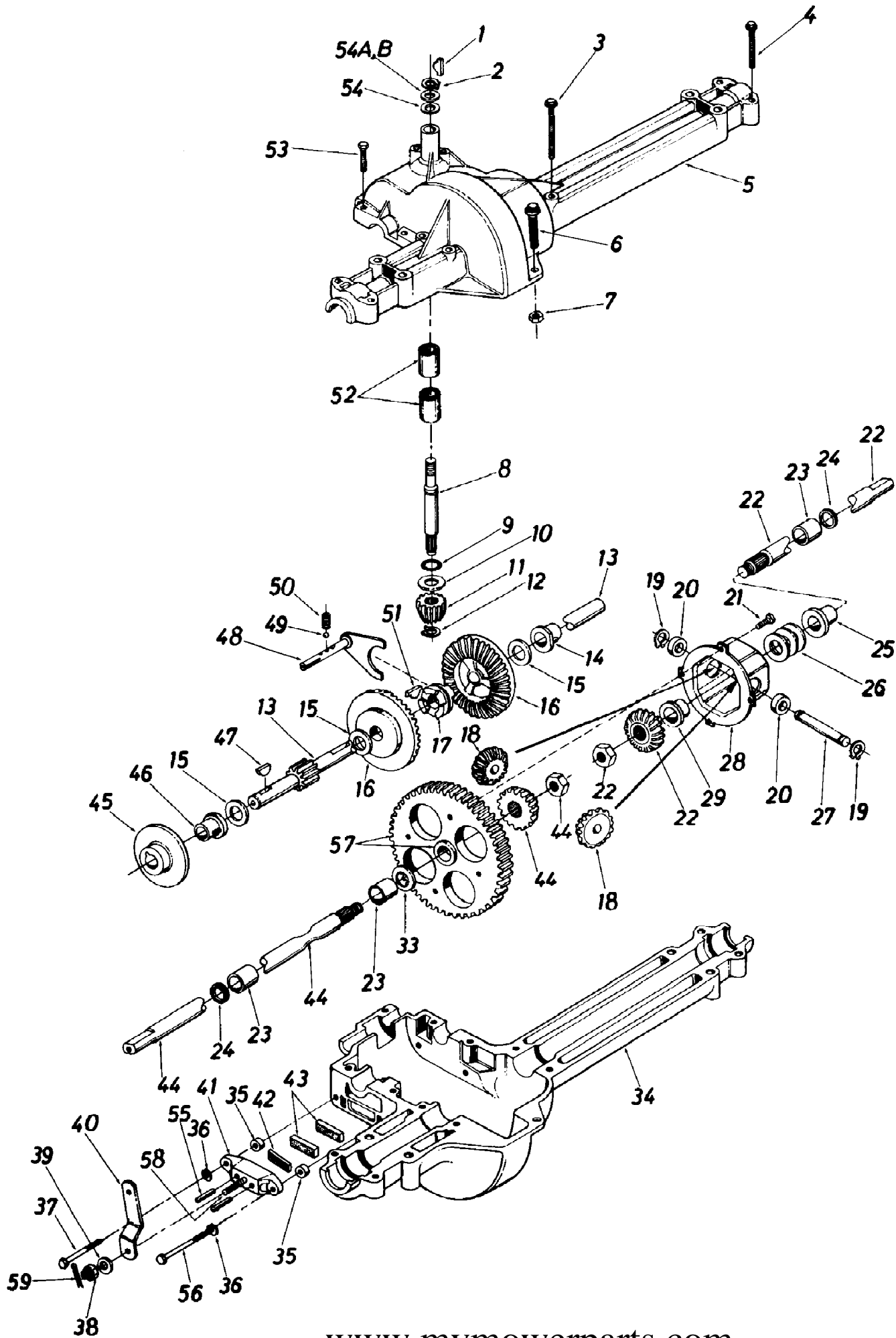
130-521D190 R-10 (1990)  
Electrical System



130-521D190 R-10 (1990)  
Electrical System

Page 14 of 22

Ref #	Part Number	Qty	S/P/F	Description
1	725-0977	1	S	Elec. Wire 8 Ga. x 9.0" Lg.
2	725-0424	1	S	Elec. Wire
3	732-0615	1		Spring Switch-Reverse
4	725-1431	1		Wire Harness
5	725-3169	1	S	Safety Switch
6	731-0757	1		Convolute Tubing 29" Lg.
8	725-0267	1	S	Ignition Switch
9	725-0514A	1	S	Battery 12V
10	725-0927	1		Elec. Wire Red w/Boot
11	725-1426	1	S	Solenoid
13	725-0975	1		Elec. Wire 8 Ga. x 9.0" Lg.
14	725-1441	1		Seat Switch
15	725-1437	1		Adaptor Harness



130-521D190 R-10 (1990)  
Single Speed Transaxle Left Hand

Page 16 of 22

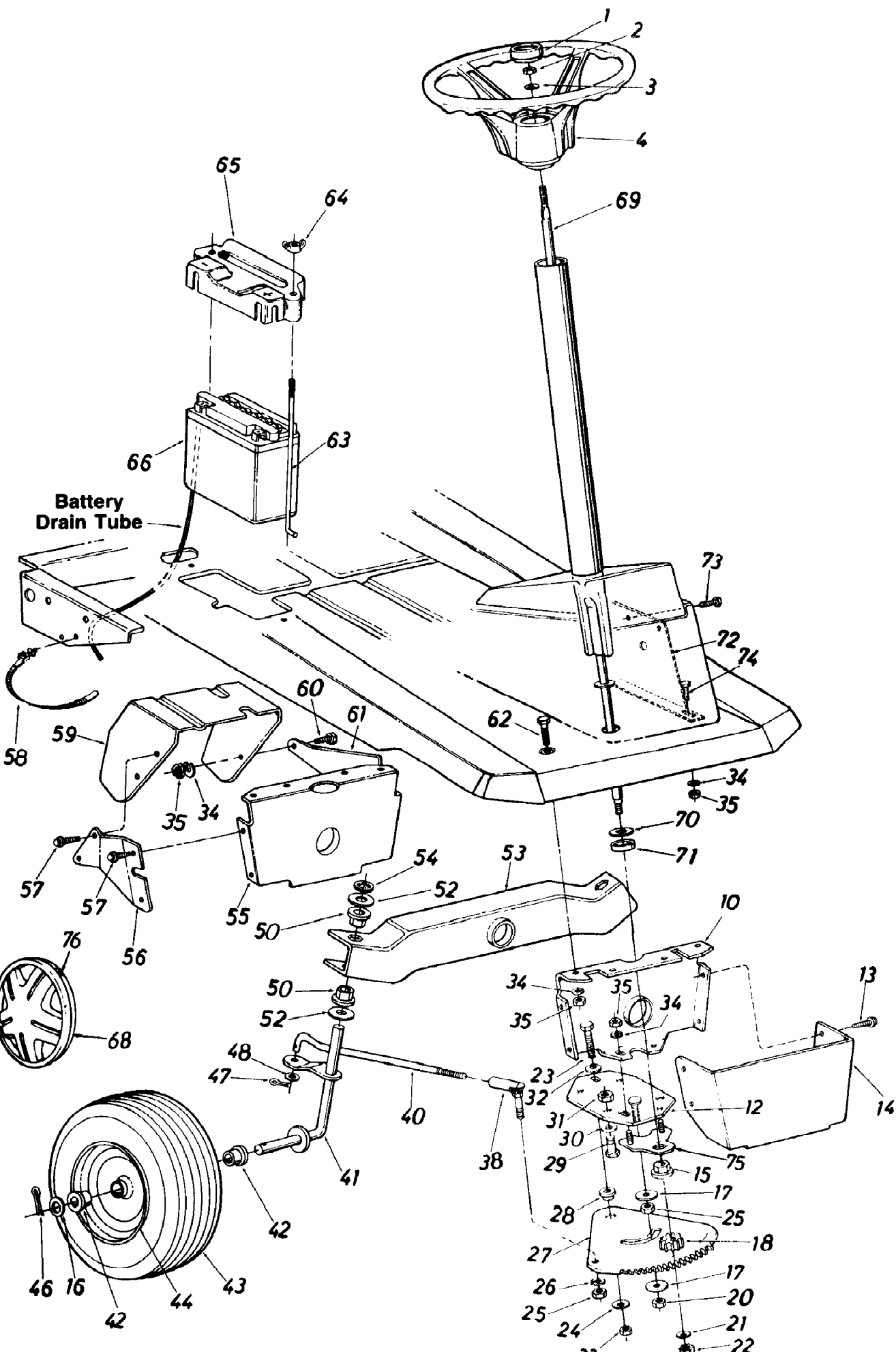
Ref #	Part Number	Qty	S/P/F	Description
1	714-0129	1	S	#4 Hi-Pro Key 3/32 x 5/8" Dia.
2	716-0115	1	S	Snap Ring .625" Shaft
3	710-0854	1	S	Hex Bolt 1/4-20 x 1.75" Lg.
4	710-0378	1	/P	Hex Bolt 5/16-18 x 2.5"
5	717-0764	1	S	Upper Housing
6	710-0889	1		Hex R-Bolt 20 x .88" Lg.
7	712-0287	1	S	Hex Nut 1/4-20 Thd.
8	717-0634	1	S	Input Shaft
9	721-0178	1	S	Square Seal 5/8" I.D.
10	736-0335	1	S	Thrust Washer 5/8 I.D. x 1.25 O.D.
11	717-0633	1	S	Pinion Input 14T
12	716-0108	1	S	Retaining Ring 7/16" Ext.
13	717-0768	1		Drive Shaft
14	741-0336	1	S	Flange Brg. 5/8" I.D. x 3/4" Lg.
15		1		FI-Wash.
	736-0349	1	S	FI-Wash. 5/8" I.D. x 1.0" O.D. x .020" Thk.
	736-0336	1	S	FI-Wash. 5/8" I.D. x 1.0" O.D. x .030" Thk.
	736-0337	1	S	FI-Wash. 5/8" I.D. x 1.0" O.D. x .040" Thk.
16	717-0757	1		Bevel Gear 42T
17	717-0667	1	S	Clutch Collar
18	717-1020	1	/P	Miter Gear 15T (H.D.)
19	716-0142	1	S	Snap Ring
20	717-0690	1	S	Thrust Bearing 1/2" I.D. x 1.0" O.D.
21	710-0862	1	S	Pan Head Scr. 1/4-20 x .50" Lg. w/Patch
22	717-0766	1	S	Axle R.H. Ass'y.-Kit
23	741-0340	1	S	Sleeve Bearing 3b" I.D. x 1 on Lg
24	721-0179	1	S	Oil Seal 3/4 I.D.
25	741-0339	1	S	Flange Bearing 3/4 I.D. x 15/16 Lg.
26	736-0188	1	/P	FI-Wash. .760" I.D. x 1.49" O.D.
27	717-0673	1	S	Cross Shaft
28	717-0777	1	S	Differential Housing Ass'y.
29		1		Part of Ref. 28
33	736-0188	1	/P	FI-Wash. .760" I.D. x 1.49" O.D.
34	717-0761	1	S	Lower Housing
35	750-0555	1		Spacer 53" O.D. x 3/8" Lg.
36	736-0329	1	S	L-Wash. 1/4" I.D.
37	710-0886	1	S	Hex Bolt 1/4-20 x 1.50" Lg. (Grade 5)
38	712-0335	1	S	Castle Nut 5/16-24 Thd.
39	736-0159	1	S	FI-Wash. .344" I.D. x .875" O.D.
40	717-0772	1	S	Actuating Arm
41	717-0679	1		Brake Yoke
42	717-0682	1	S	Puck Plate
43	717-0678	1	S	Brake Puck
44	717-0765	1	S	Axle L.H. Ass'y.-Kit
45	717-0677	1	/P	Brake Disc
46	741-0337	1	S	Flange Bearing 5/8" I.D. x 15/16" Lg.
47	714-0161	1	S	Woodruff Key 3/16 x 5/8 HT
48	717-0754	1	S	ShiR Fork Ass'y.
49	741-0862	1	/P	Ball Detent .250" Dia.
50	732-0863	1	S	Spring Detent
51	714-0169	1	S	#9 Hi-Pro Key 3/16" x 3/4" Dia. HT
52	741-0335	1	S	Needle Brg. 5/8" I.D. x 1/2" Lg.
53	710-0855	1		Ball Detent .250" Dia. x 1.00" Lg.



130-521D190 R-10 (1990)  
Single Speed Transaxle Left Hand

Page 17 of 22

Ref #	Part Number	Qty	S/P/F	Description
54	736-0336	1	S	FI-Wash. 5/8" I.D. x .030
54A	736-0337	1	S	FI-Wash. 5/8" I.D. x .040
55	741-0343	1	S	Actuating Pin 5/16" Dia.
56	710-0966	1		Hex Bolt 1/4-20 x 2.50" Lg. (Grade 5)
57	717-0767	1	S	Differential Gear 72T Ass'y. w/Bearing
58	717-0681	1	S	Sq. Hd. Bolt 5/16-24 Thd.
59	1544-013	1	S	Cotter Pin 3/32" Dia. x .50" Lg.
	737-0148	1	S	Grease-Shell (10 oz.)



130-521D190 R-10 (1990)  
Steering Assembly

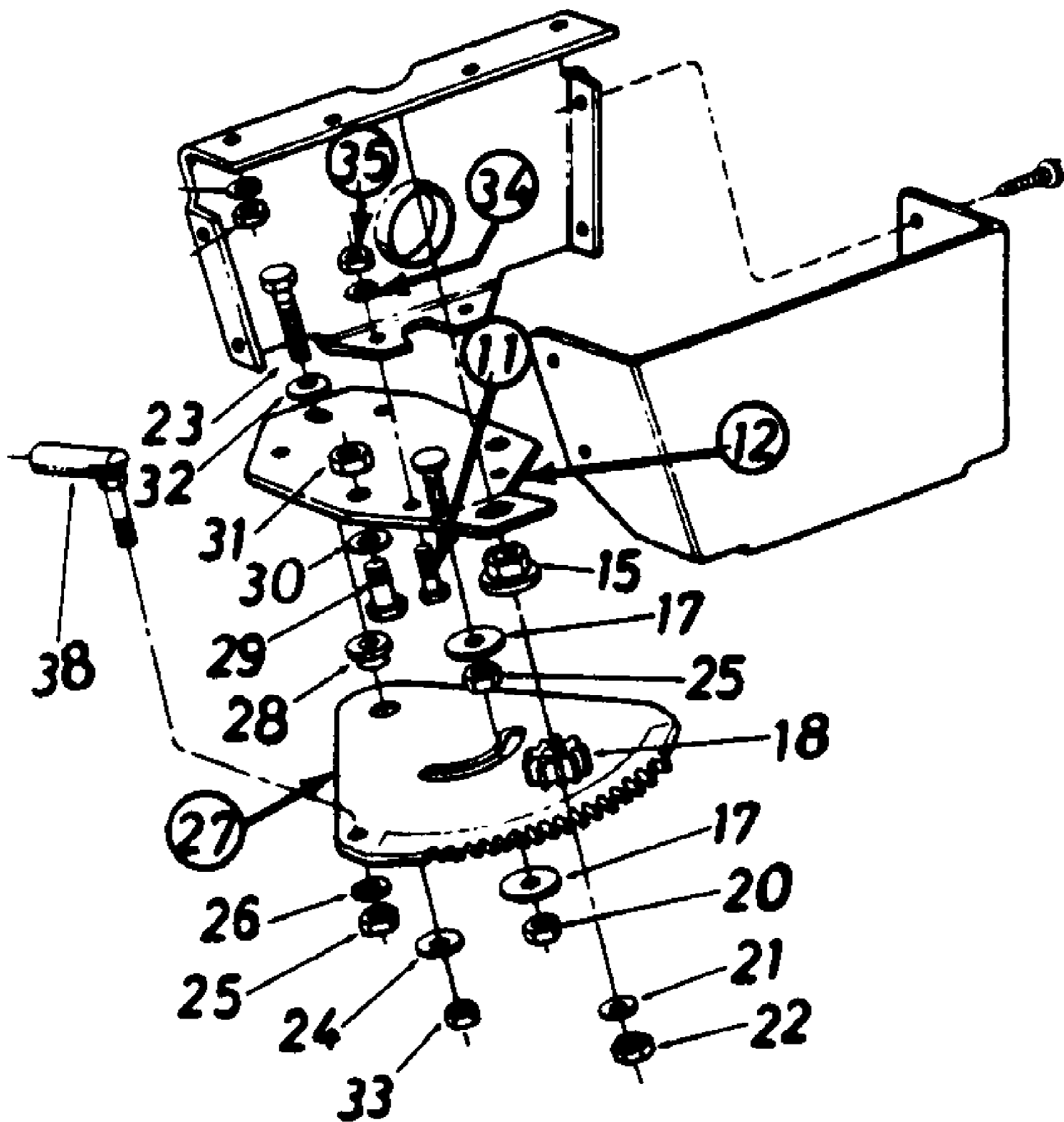
Page 19 of 22

Ref #	Part Number	Qty	S/P/F	Description
1	731-0220	1	S	Steering Wheel Cap
2	712-0237	1	S	Hex L-Nut 5/16-24 Thd.
3	736-0242	1	/P	Bell-Wash. .345" I.D. x .88" O.D.
4	731-0805	1	S	Steering Wheel Ass'y.
10	15613	1		Pivot Bar Bracket
12	17653	1		Steering Gear Support Brkt.
13	710-0776A	1	S	Hex Wash. Hd. AB-Tap Scr. 1/4 x.62" Lg.
14	15608	1		Steering Gear Cover
15	741-0225	1	S	Hex Flange Bearing
16	736-0285	1	/P	FI-Wash. .64" I.D. x 1.5" O.D.
17	736-0320	1	/P	FI-Wash. 318" I.D. x 1.371" O.D.
18	748-0290	1	S	Steering Pinion Gear
20	712-0116	1	S	Hex L-Nut 3/8-24
21	736-0275	1	S	FI-Wash. .34" I.D. x .68" O.D.
22	712-0237	1	S	Hex L-Nut 5/16-24 Thd.
23	710-0459	1	S	Hex Bolt 3/8-24 x 1.5" Lg. (Grade 5)
24	736-0320	1	/P	FI-Wash. .385" I.D. x 1.38"
25	712-0241	1	/P	Hex Nut 3/8-24 Thd.
26	736-0169	1	S	L-Wash. 318" I.D.
27	717-0472A	1	S	Steering Gear Segment
28	738-0541	1	S	Shoulder Spacer .622" Dia. x .218
29	710-0689	1	/P	Hex Bolt (Nylon) 1/2-13 x .75"
30	736-0160	1	S	FI-Wash. .530" I.D. x 930n
31	712-0206	1	S	Hex Nut 1/2-13 Thd.
32	736-0105	1	/P	Bell-Wash. .385" I.D. x .88"
33	712-0241	1	/P	Hex Nut 3/8-24 Thd.
34	736-0119	1	S	L-Wash. 5/16" I.D.
35	712-0267	1	S	Hex Nut 5/16-18 Thd.
38	723-0156	1	S	Ball Joint Ass'y. 3/8-24 Thd.
40	747-0417	1	S	Steering Tie Rod
41	15616A	1	S	Front Axle Ass'y.-R.H.
	15617A	1	S	Front Axle Ass'y.-L.H. (Not Shown)
42	741-0487	1	S	Flange Bearing .632" I.D.
	734-1454	1	S	Front Wheel Ass'y. Comp. (11 x 4.0)
43		1	F	Front Wheel Ass'y. Comp.
44		1	F	Front Wheel Rim Only
	734-1455	1		Front Wheel Rim (11 x 4.0)
46	714-0470	1	S	Cotter Pin 1/8" Dia. x 1.25
47	714-0115	1	S	Cotter Pin 1/8" Dia. x 1.00"
48	736-0300	1	S	FI-Wash. 385" I.D. x 37"
50	741-0225	1	S	Hex Flange Bearing
52	736-0156	1	/P	FI-Wash. 635" I.D. x 1.12"
53	15610	1	S	Pivot Bar Ass'y.
54	726-0159B	1	S	Speed Nut 5/8" I.D.
55	15613	1		Pivot Bar Bracket
56	15694	1		Bracket Reinforcement-R.H.
57	710-0776A	1	S	Hex Wash. Hd. AB-Tap Scr. 1/4 X .62" Lg.
58	726-0154	1	S	Cable Tie
59	17677	1		Clutch-Brake Pedal Ass'y.
60	710-0118	1	S	Hex Bolt 5/16-18 x 75" Lg.
61	15699A	1		Bracket Reinforcement-L.H.
62	710-0118	1	S	Hex Bolt 5/16-18 x 75" Lg.
63	711-0222			Down Rod

130-521D190 R-10 (1990)  
Steering Assembly

Page 20 of 22

Ref #	Part Number	Qty	S/P/F	Description
64	712-0113	1	S	Wing Nut Solid 1/4-20 Thd.
65	731-0708	1		Battery Hold Down Cover
66	725-0514A	1	S	12V Battery
68	734-1502	1		Hub Cap
69	16513	1		Steering Shaft Ass'y.
70	736-0187	1	/P	FI-Wash. .62" I.D. x 1.25" O
71	750-0532	1	S	Spacer (Plastic)
72	16069	1		Reinf. Brkt. Ass'y.
73	710-0323	1	/P	Truss Mach. Scr. 5/16-18
74	710-0116	1	S	Hex Bolt 5/16-18 x 200" Lg.
75	17655	1		Steering Gear Adjuster Ass'y.
76	727-0425	1	S	Spring Clip



130-521D190 R-10 (1990)  
Steering Gear Assembly

Page 22 of 22

Ref #	Part Number	Qty	S/P/F	Description
11	710-0118	1	S	Hex Bolt 5/16-18 x .75" Lg.
12	17130	1		Steering Gear Support Brkt.
15	741-0225	1	S	Hex Flange Bearing
17	736-0320	1	/P	FI-Wash. 318" I.D. x 1.371" O.D.
18	748-0290	1	S	Steering Pinion Gear
20	712-0116	1	S	Hex L-Nut 3/8-24
21	736-0275	1	S	FI-Wash. .34" I.D. x .68" O.D.
22	712-0237	1	S	Hex L-Nut 5/16-24 Thd.
23	710-0459	1	S	Hex Bolt 3/8-24 x 1.5" Lg. (Grade 5)
24	736-0320	1	/P	FI-Wash. .385" I.D. x 1.38"
25	712-0241	1	/P	Hex Nut 3/8-24 Thd.
26	736-0169	1	S	L-Wash. 318" I.D.
27	717-0472A	1	S	Steering Gear Segment
28	738-0541	1	S	Shoulder Spacer .622" Dia. x .218
29	710-0689	1	/P	Hex Bolt (Nylon) 1/2-13 x .75"
30	736-0160	1	S	FI-Wash. .530" I.D. x 930n
31	712-0206	1	S	Hex Nut 1/2-13 Thd.
32	736-0105	1	/P	Bell-Wash. .385" I.D. x .88"
33	712-0241	1	/P	Hex Nut 3/8-24 Thd.
34	736-0119	1	S	L-Wash. 5/16" I.D.
35	712-0267	1	S	Hex Nut 5/16-18 Thd.
38	723-0156	1	S	Ball Joint Ass'y. 3/8-24 Thd.